

Hand grease gun, grease gun 500ml



Pro-Tech
shop

Instructions for use

Translation of the original instructions

Read this instruction manual before first use.

The user is obliged to acquaint himself with all the instructions necessary for the normal use and the overload and to accept all risks that may occur during the overload.



NOTE!!!

Due to continuous product improvement, the photographs and drawings in this manual are for illustration purposes only and may differ from the product purchased. These differences cannot be grounds for complaint.

NOTE!!!

The first commissioning of this equipment is, within the meaning of this manual, a legal step in which the user freely and voluntarily acknowledges that he/she has carefully read these instructions, understands their meaning and is aware of all the implications.

GENERAL INFORMATION

A lubricator is a device used for lubricating oil or grease under pressure. It is designed for all workshop work where precision and accuracy are required.

GENERAL INSTRUCTIONS ON SAFETY AT WORK

Fire!

Excessive pressure can tear the head of the typewriter and its accessory.

Do not use force when operating the hand pawl. Do not use extension cables or other aids.

Fire!

Excessive pressure on the lubricator can damage the lubricator, possibly also the bearing and the machine! Observe the maintenance and servicing instructions provided by the machine manufacturer.

Fire!

Damaged equipment can cause injury to persons and damage to property! High pressure hoses must not be bent, twisted or stretched. During the overload period, check the accessories for signs of wear, cracks or other damage. Damaged accessories must be replaced immediately.

ASSEMBLY

The press is delivered completely assembled. Depending on the model additional equipment may or may not be fitted.

Tip

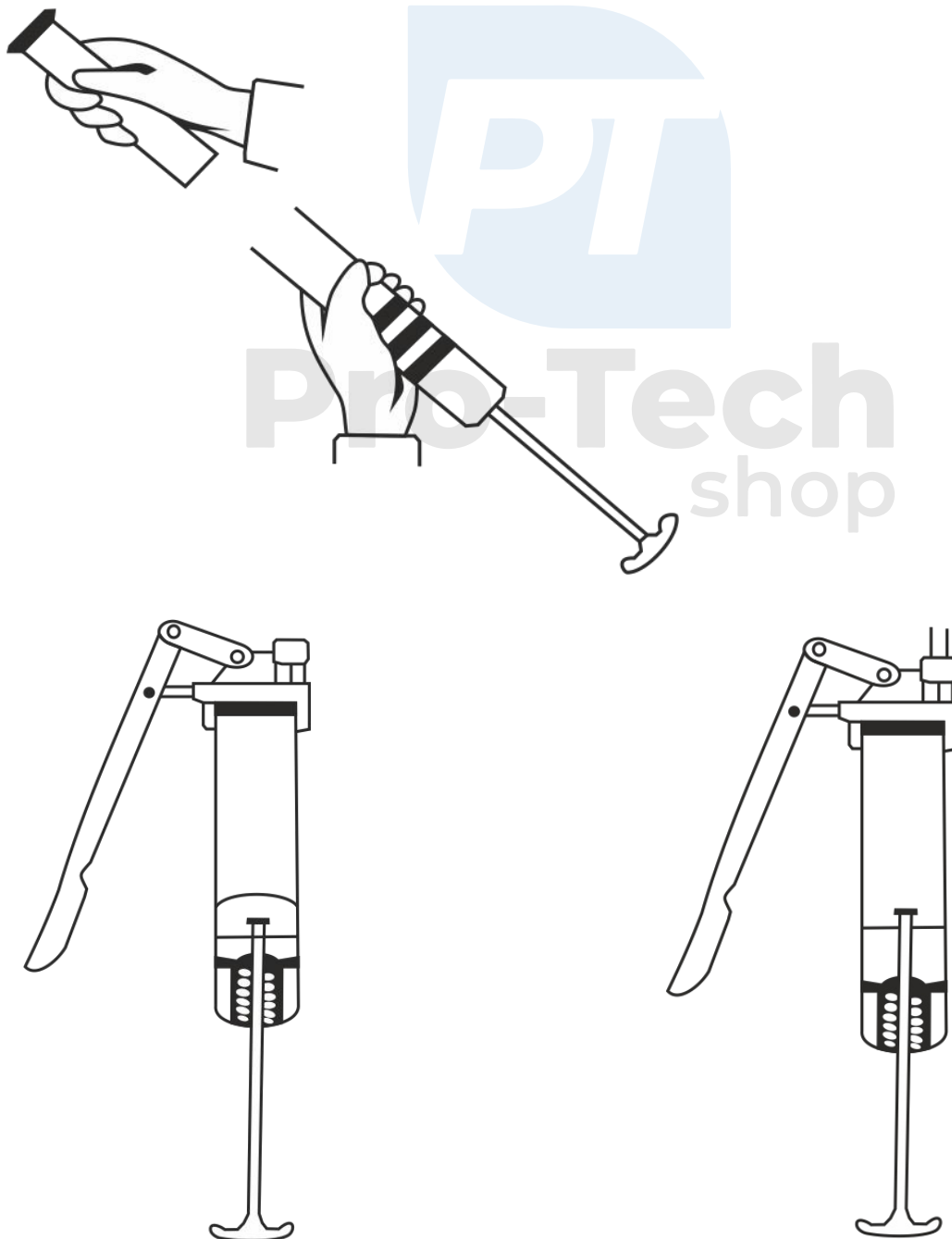
When assembling, make sure that the attachment is clean and firmly connected to the head of the press. Use suitable sealing and bonding agents (e.g. Teflon tape). When replacing the nozzle tube or pan hoses must not unscrew the valve in the head of the lubrication gun.

WARNING: BEFORE STARTING FOR THE FIRST TIME, CHECK THAT THE TRAY IS NOT DAMAGED AND THAT IT HAS ALL THE NECESSARY PARTS FOR USE.

WARNING: NEVER OPEN THE LUBRICATOR UNDER PRESSURE!!!

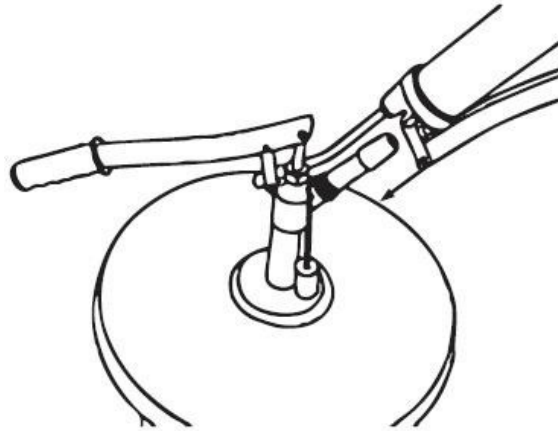
HAND FILLING

Unscrew the head of the mortar, place the mortar in the grease well, make sure that the tip of the mortar is immersed in the grease so that it does not suck in the stomach, and pull the handle. Then partially tighten the head of the grease gun, remove the tube by pushing the handle all the way in and tighten the head. Push the handle down until no lubricant comes out of the hole. Then screw on the hose, possibly wrapping the joint with tape to protect the hose. The grease gun is now ready for use.

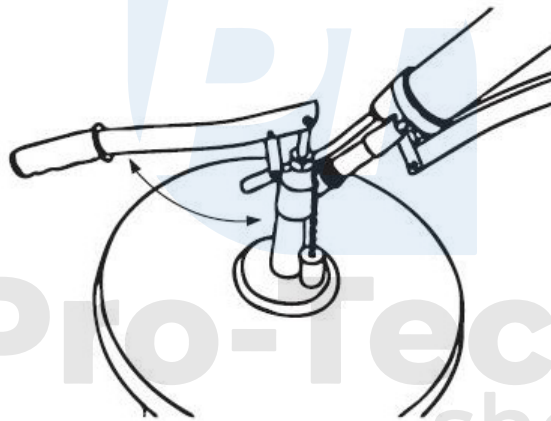


FILLING WITH A GREASE GUN

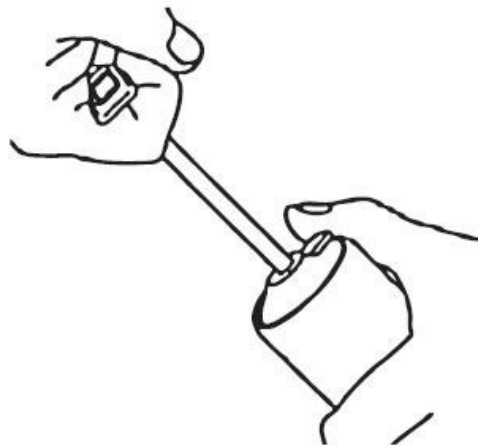
Place the filler orifice of the lubricating press on the filler valve and hold it with slight back pressure.



Start the unit and fill the small tank. Filling may result in the coupling rod being forced out of the lubricator line.



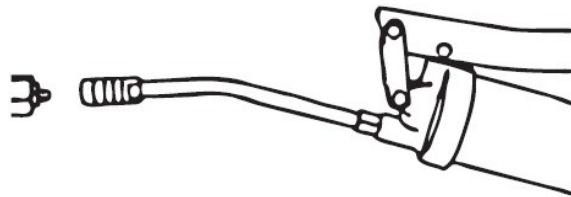
Pull the connecting rod to activate the jaw and slide the connecting rod back into the handle body.



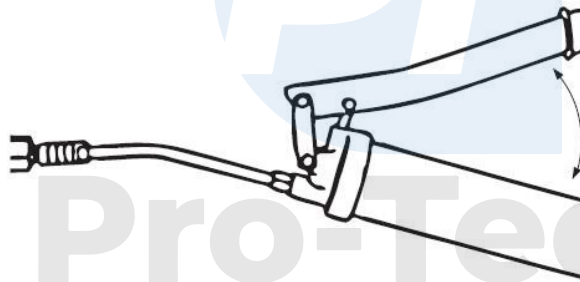
USE

ATTENTION! Excessive pressure can cause rupture of the lubrication head and accessories!

ATTENTION! Wear protective gloves and an eye shield when using the lubricator.



Put the hydraulics on the hydraulics' already on and over the lubricators.



Lubricate by controlling the hand wand.

Pro-Tech
shop